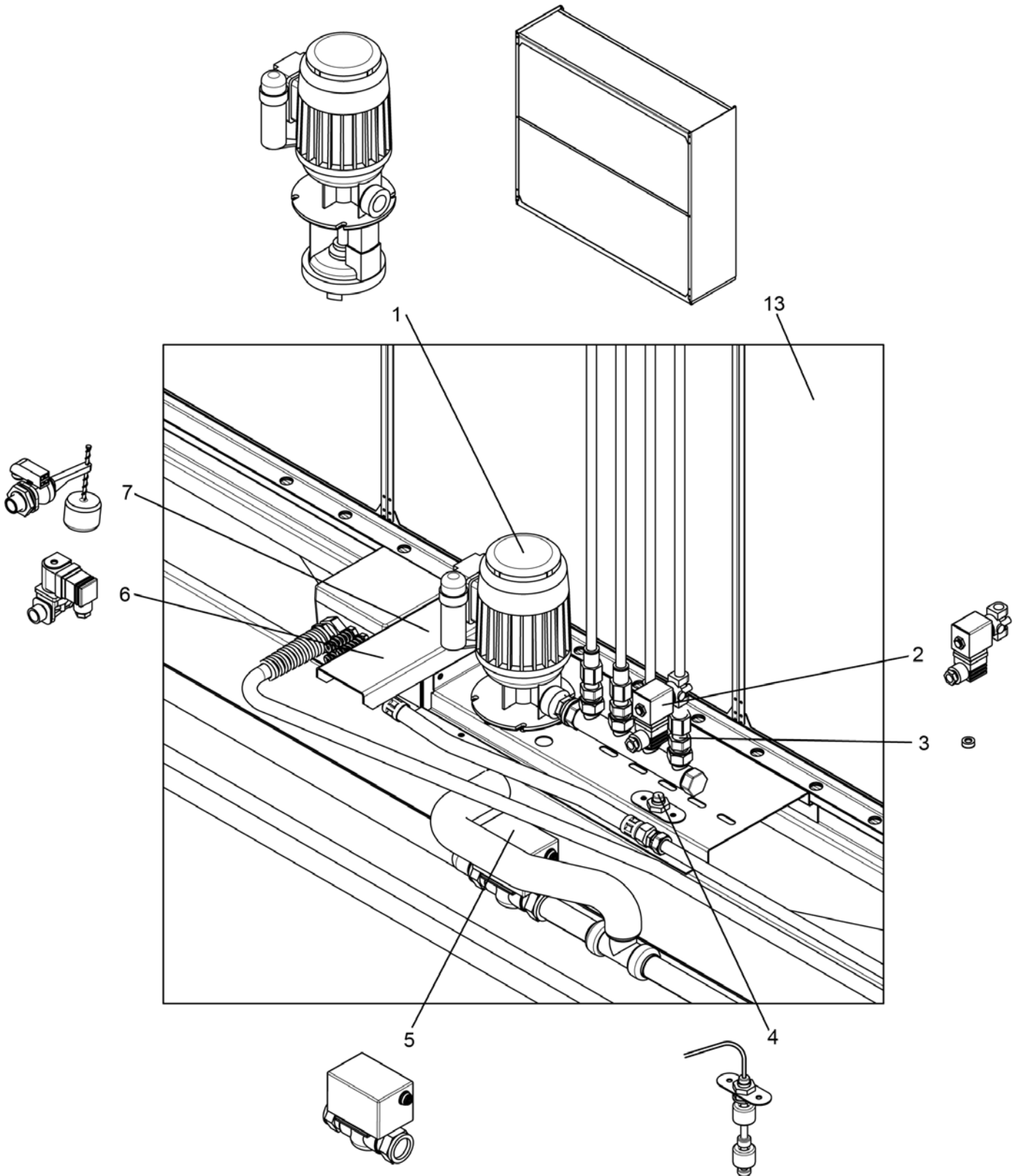


HumEvap MC3 Unit Assembly & Cassettes



No	Item No	Description
1	01976	Pump 8K
	01978	Pump 12K
2	01098	Stage Solenoid Valve
3	04541	Flow Restrictor 1 l/min
	04542	Flow Restrictor 2 l/min
	04543	Flow Restrictor 3 l/min
	04544	Flow Restrictor 4 l/min
	04545	Flow Restrictor 5 l/min
	04546	Flow Restrictor 6 l/min
	04465	Flow Restrictor 8 l/min
	04466	Flow Restrictor 14 l/min
4	04445	Float Switch
5	04476	Motorised Drain Valve
6	04492	Inlet Water Valve
7	50046	Torbeck Float Valve
13	See table below	Matrix Cassettes

No	Item No	Description	Width (mm)	Height (mm)	Depth (mm)	Efficiency %
13	HU02-200-25-01	Evaporative Matrix Cassette	300	250	100	75 (Type A)
	HU02-200-25-02		300	500	100	75 (Type A)
	HU02-200-25-03		600	250	100	75 (Type A)
	HU02-200-25-04		600	500	100	75 (Type A)
	HU02-200-25-17		300	1000	100	75 (Type A)
	HU02-200-25-20		600	1000	100	75 (Type A)
	HU02-200-25-05		300	250	150	85 (Type B)
	HU02-200-25-06		300	500	150	85 (Type B)
	HU02-200-25-07		600	250	150	85 (Type B)
	HU02-200-25-08		600	500	150	85 (Type B)
	HU02-200-25-18		300	1000	150	85 (Type B)
	HU02-200-25-21		600	1000	150	85 (Type B)
	HU02-200-25-09		300	250	200	95 (Type C)
	HU02-200-25-10		300	500	200	95 (Type C)
	HU02-200-25-11		600	250	200	95 (Type C)
	HU02-200-25-12		600	500	200	95 (Type C)
	HU02-200-25-19		300	1000	200	95 (Type C)
	HU02-200-25-22		600	1000	200	95 (Type C)
	HU02-200-25-13	Droplet Separator Cassette	300	250	35	N/A