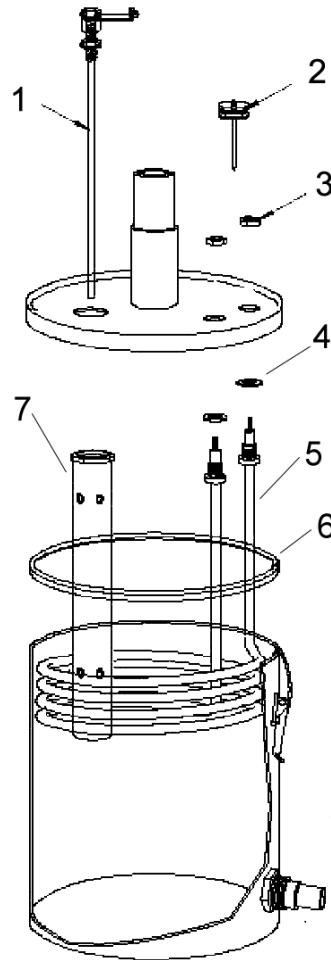


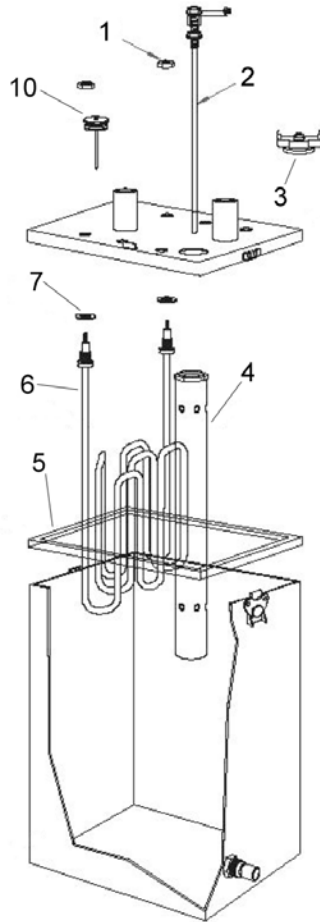
## Neptronic SKE 05 – Evaporation chamber



No	Item No	Description
1	SWPROBSM-ASSY	Water level sensor
2	SWFOAMSM-ASSY	Foam sensor
3	SP2300	S/S hex Jam nut (elements)
4	SP1005	Washer (elements)
5	SE5937	Heater Element
6	SP1008	Evaporation Chamber Gasket
7	SP4196-M	Level sensor chamber
	SP3035	High temperature switch

\* - Consumable items recommended to be kept on site

## Neptronic SKE 10 - 80 – Evaporation chamber



No	Model	Item No	Description
1	All	SP2300	S/S hex Jam nut (elements)
2	SKE10-20	SWPROBMED-ASSY	Water Level sensor
	SKE30-80	SWPROBLAR-ASSY	
3	All	SP3035	High temperature switch
4	SKE10 20 30 50 60	SP4197-M	Level sensor chamber
	SKE40 80	SP4198-M	
5	SKE10-40	SP1021	Evaporation chamber gasket
	SKE50-80	SP1022	
6	SKE10 400V/3	SE5981	Heater Element
	SKE20	SE5982	
	SKE30/60	SE5983	
	SKE40/80	SE5955	
7	All	SP1005	Washer (elements)
	SKE50	SE5984	
8	SKE10-40	SWFOAMMED-ASSY	Foam sensor
	SKE50-80	SWFOAMLAR-ASSY	

## Neptronic SKE – Cable Harness Identification

Unit	Wire assembly (connected to cylinder)	Panel Wire assembly (connected to electrical supply)
SKE 05M	SWELWIRE05-230	SWEPAWIRE05-230
SKE 10M	SWELWIRE10-400	SWEPAWIRE10-400
SKE 20M	SWELWIRE10-400	SWEPAWIRE10-400
SKE 30M	SWELWIRE10-400	SWEPAWIRE10-400
SKE 40M	SWELWIRE40-B1 AS	SWEPAWIRE40M-B1
	SWELWIRE40-B2 AS	SWEPAWIRE40M-B2
SKE 50M	SWELWIRE50B1	SWEPAWIRE50B1
	SWELWIRE50B2	SWEPAWIRE50B2
	SWELWIRE50B3	SWEPAWIRE50B3
SKE 60M	SWELWIRE60B1	SWEPAWIRE60B1
	SWELWIRE60B2	SWEPAWIRE60B2
	SWELWIRE60B3	SWEPAWIRE60B3
	SWELWIRE60B4	SWEPAWIRE60B4
SKE 80M	SWELWIRE80B1	SWEPAWIRE80B1
	SWELWIRE80B2	SWEPAWIRE80B2
	SWELWIRE80B3	SWEPAWIRE80B3
	SWELWIRE80B4	SWEPAWIRE80B4

\* - Consumable items recommended to be kept on site