



Änderungen vorbehalten!

Subject to change!

Modifications réservées!

| Pos. | Artikel Article Article | Typ Type Type | Visual | Process | Art.-/SAP-Nr. Art.-/SAP-No. Art.-/SAP-No. |
|------|--|------------------------|--------|---------|---|
| 101a | Dampfeinsatz kpl. Steam cylinder insert cpl. Tête de chauffe cpl. | 5 kg/h | 1 | 1 | 1115296 |
| | | 8 kg/h | 1 | 1 | 1115299 |
| | | 10 kg/h | 1 | 1 | 1115300 |
| | | 16 kg/h | 1 | 1 | 1115301 |
| | | 20 kg/h | 1 | 1 | 1115302 |
| | | 24 kg/h | 1 | 1 | 1115303 |
| | | 30 kg/h | 1 | 1 | 1115304 |
| | | 40 kg/h | 1 | 1 | 2568026 |
| | | 40 kg/h ** | 1 | 1 | 1115305 |
| 101b | Dampfeinsatz mit Kabelbaum Steam cylinder insert with cable harness Tête de chauffe incl. faisceau de câbles | 400-415V/3~ 40 kg/h | 1 | | 2568194 |
| | | | | 1 | 2568195 |
| 102 | Dampfzylinder Steam cylinder Cuve à vapeur | 5/8/10/16 kg/h / 200 | 1 | 1 | 1115461 |
| | | 20/24/30/40 kg/h / 280 | 1 | 1 | 1115462 |
| 103 | Dampfzylinderdeckel Steam cylinder cover Couvercle de cuve | 5/8/10 kg/h / 200 | 1 | 1 | 1115464 |
| | | 16 kg/h / 200 | 1 | 1 | 1115465 |
| | | 20 kg/h / 280 | 1 | 1 | 1115466 |
| | | 24/30/40 kg/h / 280 | 1 | 1 | 1115467 |
| 104 | Deckelspannring Cover clamping Fermeture du couvercle | 5/8/10/16 kg/h / 200 | 1 | 1 | 1103812 |
| | | 20/24/30/40 kg/h / 280 | 1 | 1 | 1103814 |
| 105 | Durodichtung Gasket Duro Joint Duro | 5/8/10/16 kg/h / 200 | 1 | 1 | 1101516 |
| | | 20/24/30/40 kg/h / 280 | 1 | 1 | 1100966 |
| 106 | Spannverschluss Clamping ring Collier de fermeture | 5/8/10/16 kg/h / 200 | 1 | 1 | 1104574 |
| | | 20/24/30/40 kg/h / 280 | 1 | 1 | 1104578 |
| 107 | Ausblasstutzen kpl. Steam outlet hose cpl. Manchon de vaporisation cpl. | 5...40 kg/h | 1 | 1 | 1103817 |
| 108 | Heizstab Heating element Element de chauffage | 5 kg/h / 1250 W | 3 | 3 | 1115476 |
| | | 8 kg/h / 2000 W | 3 | 3 | 1115478 |
| | | 10 kg/h / 2500 W | 3 | 3 | 1115480 |
| | | 16 kg/h / 2000 W | 6 | 6 | 1115478 |
| | | 20 kg/h / 2500 W | 6 | 6 | 1115480 |
| | | 24 kg/h / 2000 W | 9 | 9 | 1115478 |
| | | 30 kg/h / 2500 W | 9 | 9 | 1115480 |
| | | 40 kg/h / 3300 W | 9 | 9 | 1115482 |
| 108 | Heizstab (3 Stk.) Heating element (3 pcs) Element de chauffage (3 pcs) | 5 kg/h / 1250 W | 1 | 1 | 1115475 |
| | | 8 kg/h / 2000 W | 1 | 1 | 1115477 |
| | | 10 kg/h / 2500 W | 1 | 1 | 1115479 |
| | | 16 kg/h / 2000 W | 2 | 2 | 1115477 |
| | | 20 kg/h / 2500 W | 2 | 2 | 1115479 |
| | | 24 kg/h / 2000 W | 3 | 3 | 1115477 |
| | | 30 kg/h / 2500 W | 3 | 3 | 1115479 |
| | | 40 kg/h / 3300 W | 3 | 3 | 1115481 |
| 109 | Dichtung & Gegenflansch (9 Stk.) Gasket & counter flange (9 pcs) Joint & contre bride (9 pcs) | 5...40 kg/h | 1 | 1 | 2560304 |
| | | | | | |
| 110 | Übertemperaturschalter kpl. Thermostat cpl. Thermostat cpl. | 5...40 kg/h | 1 | 1 | 1103822 |
| | | | | | |
| 111 | Kabel zu Übertemperaturschalter kpl. Thermostat cable cpl. Câble pour thermostat cpl. | 5...40 kg/h | 1 | 1 | 2527403 |

| Pos. | Artikel Article Article | Typ Type Type | Visual | Process | Art.-/SAP-Nr. Art.-/SAP-No. Art.-/SAP-No. |
|------|--|---|--------------------------------------|--------------------------------------|---|
| 112 | Stecker Connector Connecteur | 5/8/10 kg/h / 10 pol. 16/20 kg/h / 16 pol. 24/30 kg/h / 24 pol. 40 kg/h / 24 pol. | 1 1 1 1 | 1 1 1 1 | 1103825 1103829 1103832 1119457 |
| 113 | Kabelbaum 230-240V/1~ Cable harness 230-240V/1~ Faisceau de câbles 230-240V/1~ | 5/8/10 kg/h / 10 pol. | 1 | 1 | 1119718 |
| 113 | Kabelbaum 200-220V/3~ Cable harness 200-220V/3~ Faisceau de câbles 200-220V/3~ | 5/8/10 kg/h / 10 pol. 16/20 kg/h / 16 pol. 24/30 kg/h / 24 pol. 40 kg/h / 24 pol. | 1 1 1 1 | 1 1 1 1 | 1119718 1119719 1119720 1119721 |
| 113 | Kabelbaum 400-415V/3~ Cable harness 400-415V/3~ Faisceau de câbles 400-415V/3~ | 5/8/10 kg/h / 10 pol. 16/20 kg/h / 16 pol. 16/20 kg/h / 16 pol. 24/30 kg/h / 24 pol. 24/30 kg/h / 24 pol. 40 kg/h / 24 pol. 40 kg/h / 24 pol. 40 kg/h / 24 pol. ** 40 kg/h / 24 pol. ** | 1 1 1 1 1 1 1 1 | 1 1 1 1 1 1 1 1 | 1115484 1115485 1115486 1115487 1115488 2568027 2568028 1119458 1119459 |
| 114a | Zylindereinsatz mit Gitter Cylinder insert with grid Insert du cuve avec grille | 5/8/10/16 kg/h / 200 20/24/30/40 kg/h / 280 | 1 1 | 1 1 | 1115489 1115490 |
| 114b | Zylindereinsatz mit Folie Cylinder insert with foil Insert du cuve avec film | 5/8/10/16 kg/h / 200 20/24/30/40 kg/h / 280 | 1 1 | 1 1 | 2557691 2557692 |
| 115a | Einsatzgitter (für brüchigen, spröden Kalk) Screen insert (for fragile, brittle lime) Insert grille (pour calcaire cassant) | 5...16 kg/h / 200 20...40 kg/h / 280 | 1 1 | 1 1 | 1115491 1115492 |
| 115b | Kalkauffangfolie (für glasartigen, harten Kalk) Scale collector foil (for glassy and hard lime) Sac collecteur de calcaire (pour calcaire vitreux et dur) | 5...16 kg/h / 200 20...40 kg/h / 280 | 1 1 | 1 1 | 1119793 1119796 |
| 116 | Trichterschikane Funnel baffle ring Chicane de l'entonnoir | 5...40 kg/h | 1 | 1 | 1116884 |
| 117 | Kupplungsmuffe kpl. Coupling sleeve cpl. Manchon d'accouplement cpl. | 5...40 kg/h / Standard 5/8/10/16 kg/h / VE 200 20/24/30/40 kg/h / VE 280 | 1 1 1 | 1 1 1 | 1115494 1115495 1115496 |
| 118 | Schnapping gross (inkl. Dichtung) Snap ring large (incl. gasket) Anneau d'arrêt grand (incl. joint) | 5...40 kg/h | 1 | 1 | 1115497 |
| 119 | Schnapping klein (inkl. Dichtung) Snap ring small (incl. gasket) Anneau d'arrêt petit (incl. joint) | 5...40 kg/h | 1 | 1 | 1115498 |
| 120 | Kalkauffangbehälter Lime collector tank Collecteur de calcaire | 5/8/10/16 kg/h / 500 20/24/30/40 kg/h / 600 | 1 1 | 1 1 | 1115499 1115500 |
| 121 | Ablasshahn (inkl. Dichtung) Drain valve (incl. gasket) Robinet de vidange (incl. joint) | 5...40 kg/h | 1 | 1 | 1116889 |
| 122 | Verschluss Kalkauffangbehälter links+rechts kpl. Rotation locks lime collector tank left+right cpl. Verrouillage de collecteur de calcaire gauche+droit cpl. | 5...40 kg/h | 1 | 1 | 1115502 |
| 201 | Synchronpumpe kpl. Synchronous pump cpl. Pompe synchrone cpl. | 5...40 kg/h | 1 | 1 | 1115532 |
| 202 | Dichtring Pumpengehäuse Gasket for pump housing Joint pour boîtier de pompe | 5...40 kg/h | 1 | 1 | 2550469 |
| 203 | Ablaufbecher kpl. Drain cup cpl. Godet d'écoulement cpl. | 5...40 kg/h | 1 | 1 | 1115534 |
| 204 | PEX-Schlauchgarnitur PEX hose Tuyau PEX | 5...40 kg/h | 1 | 1 | 1103857 |

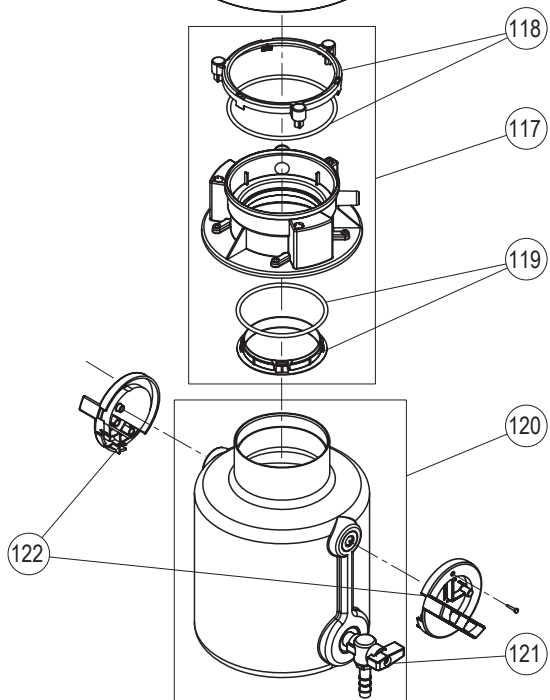
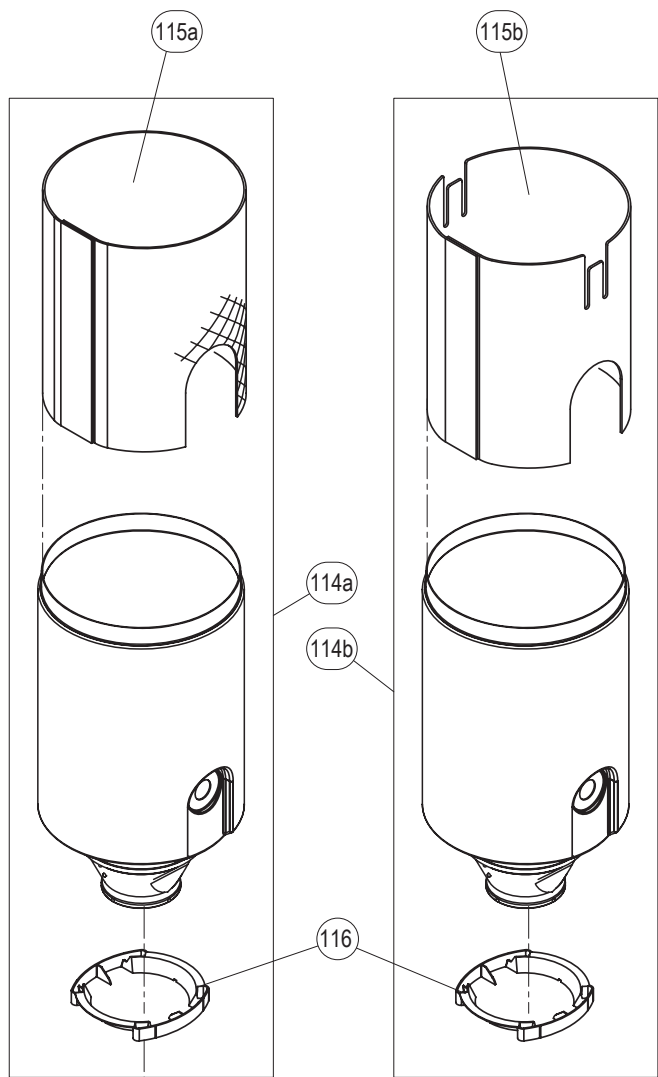
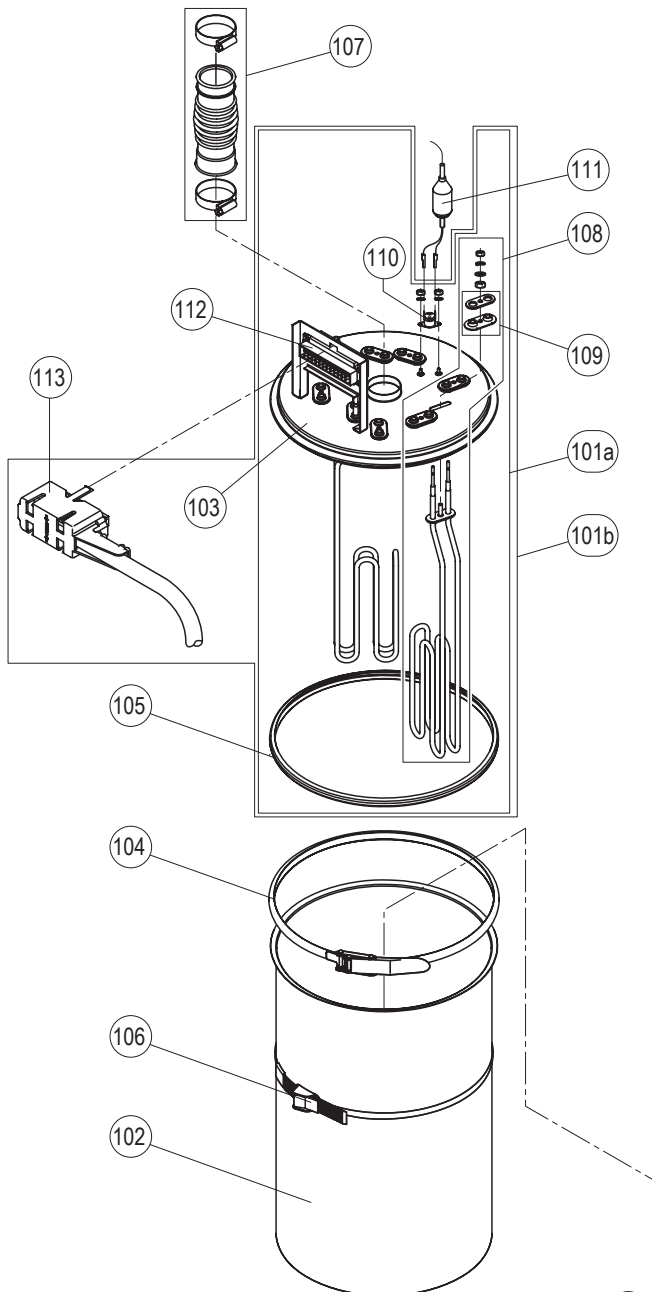
| Pos. | Artikel Article Article | Typ Type Type | Visual | Process | Art.-/SAP-Nr. Art.-/SAP-No. Art.-/SAP-No. |
|------|--|--------------------------------|--------|---------|---|
| 205 | Einlassventil kpl. Solenoid inlet valve cpl. Vanne d'alimentation cpl. | 5/8/10/16 kg/h / 1.2 l | 1 | | 1115535 |
| | | 20/24/30/40 kg/h / 2.0 l | 1 | | 1104535 |
| 206 | Doppel-Einlassventil kpl. Double solenoid inlet valve cpl. Double-vanne d'alimentation cpl. | 5...20 kg/h / 2/0.8 l | | 1 | 1115680 |
| | | 24...40 kg/h / 2/1.2 l | | 1 | 1115536 |
| 207 | Niveauprint kpl. Print for level control cpl. Circuit imprimé pour contrôle de niveau cpl. | 5...40 kg/h | 1 | | 1115537 |
| | | 5...40 kg/h | | 1 | 1115538 |
| 208 | Schwimmer kpl. Float cpl. Flotteur cpl. | 5...40 kg/h | 1 | | 1115539 |
| | | 5...40 kg/h | | 1 | 1115540 |
| 209 | Schwimmerhalter Float holder Support de flotteur | 5...40 kg/h | 1 | 1 | 1115541 |
| | | | | | |
| 210 | Wasserbecher kpl. Water cup cpl. Godet d'eau cpl. | 5...40 kg/h | 1 | 1 | 1115542 |
| | | | | | |
| 211 | Schlauchset Visual Hose set Visual Set de tuyau Visual | 5...40 kg/h | 1 | | 1115543 |
| | | | | | |
| 212 | Schlauchset Process Hose set Process Set de tuyau Process | 5...40 kg/h | | 1 | 1115544 |
| | | | | | |
| 213 | Pumpen-Schlauchset Hose set for drain pump Set de tuyau pour pompe | 5...40 kg/h | 1 | 1 | 1115545 |
| | | | | | |
| 214 | Schlauchset Niveaeinheit Hose set for level control unit Set de tuyau pour unité de niveau | 5...40 kg/h | 1 | 1 | 1115546 |
| | | | | | |
| 215 | Ablaufstutzen cpl. Drain connection cpl. Manchon d'écoulement cpl. | 5...40 kg/h | 1 | 1 | 1103890 |
| | | | | | |
| 216 | Klammerset Set clamps Set de colliers | 5...40 kg/h | 1 | 1 | 1116550 |
| | | | | | |
| 217 | Schlauchklemmenset Hose clip set Set serre-joint de tuyau | 5...40 kg/h | 1 | 1 | 1115548 |
| | | | | | |
| 218 | Niveauprintkabel Cable to level control Câble contrôle de niveau | 5...40 kg/h | 1 | 1 | 2519465 |
| | | | | | |
| 301 | Dampfanschluss kpl. Steam hose nipple cpl. Raccordement vapeur cpl. | 5...40 kg/h | 1 | 1 | 1115503 |
| | | | | | |
| 302 | Schloss kpl. (2 Stk.) Lock cpl. (2 pcs) Serrure cpl. (2 pcs) | 5...40 kg/h | 1 | 1 | 1103860 |
| | | | | | |
| 303 | Schalterset (1 Stk. von jedem Schalter) Switch set (1 pc of each switch) Set interrupteurs (1 pc de chaque interrupteur) | 5...40 kg/h | 1 | 1 | 1115504 |
| | | | | | |
| 304 | Sicherungsset Fuses set Set fusibles | (1x6.3AT/1AF/50mAF, 2x16ASF) 1 | 1 | 1 | 1115505 |
| | | (1x6.3AT/1AF/50mAF, 2x20ASF) 2 | 1 | 1 | 1115506 |
| 305a | Hauptschütz 230-240 V 1~ Main Contactor 230-240 V 1~ Contacteur Principal 230-240 V 1~ | 5 kg/h | 1 | 1 | 1115507 |
| | | 8/10 kg/h | 1 | 1 | 1115511 |
| 305a | Hauptschütz 200-220 V 3~ Main Contactor 200-220 V 3~ Contacteur Principal 200-220 V 3~ | 5/8/10 kg/h | 1 | 1 | 1115507 |
| | | 16/20 kg/h | 1 | 1 | 1115511 |
| | | 24/30kg/h | 1 | 1 | 1117502 |
| | | 40 kg/h | 1 | 1 | 1117504 |
| | | 50 kg/h | 1 | 1 | 1115511 |
| | | | 1 | 1 | 1117502 |
| | | 60 kg/h | 2 | 2 | 1117502 |
| | | 80 kg/h | 2 | 2 | 1117504 |

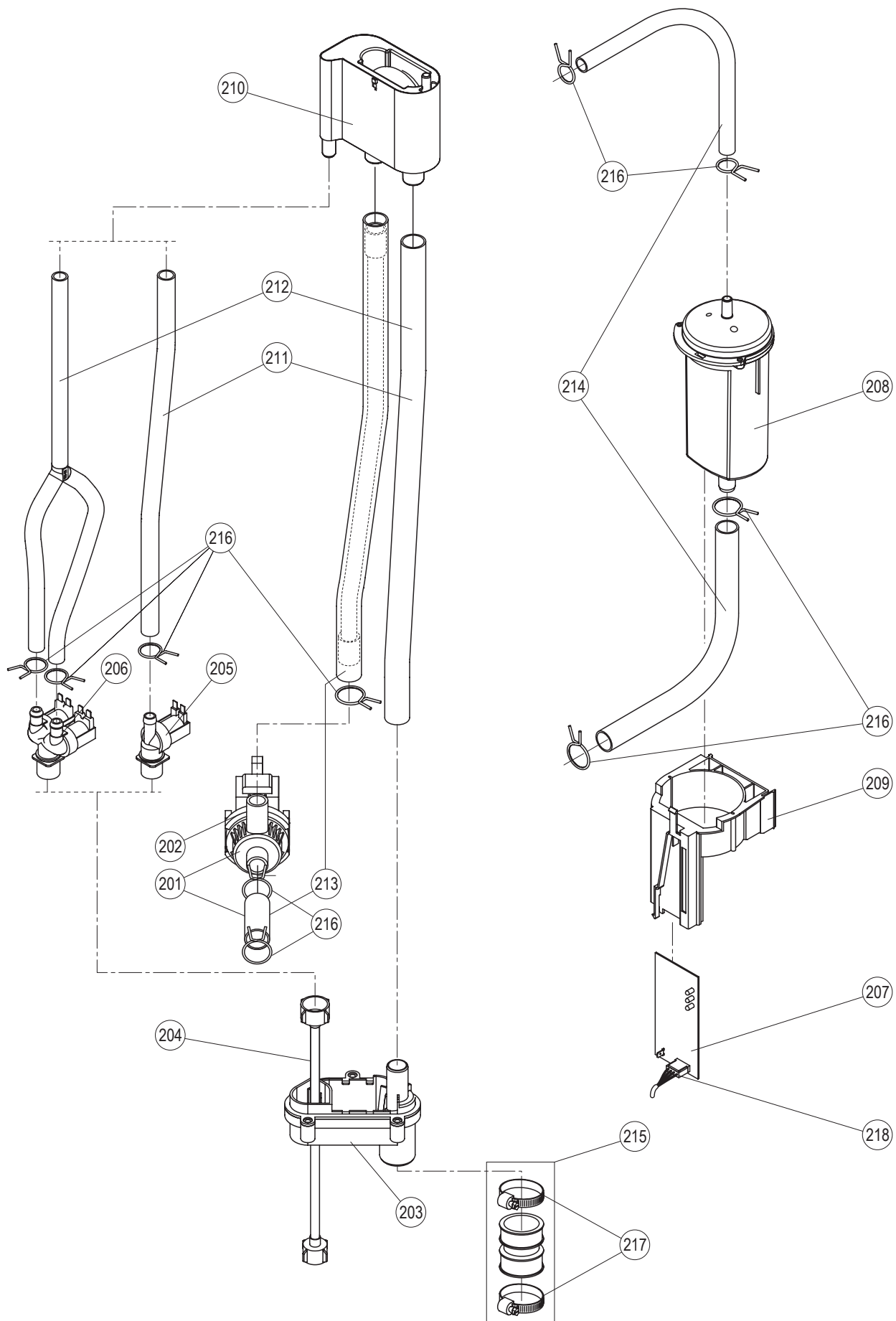
| Pos. | Artikel Article Article | Typ Type Type | Visual | Process | Art.-/SAP-Nr. Art.-/SAP-No. Art.-/SAP-No. |
|---------|---|---------------------|---------|---------|---|
| 305a | Hauptschütz 400-415V 3~ Main Contactor 400-415V 3~ Contacteur Principal 400-415V 3~ | 5/8/10 kg/h | 1 | 1 | 1115507 |
| | | 16/20 kg/h | 1 | 1 | 1115509 |
| | | 24/30 kg/h | 1 | 1 | 1115511 |
| | | 40 kg/h | 1 | 1 | 1117502 |
| | | 50 kg/h | 1 | 1 | 1115509 |
| | | | 1 | 1 | 1115511 |
| | | 60 kg/h | 2 | 2 | 1115511 |
| | | 80 kg/h | 2 | 2 | 1117502 |
| 305b | Heizungsschütz (nur Visual 400-415 V 3~) Heating Contactor (Visual 400-415 V 3~ only) Contacteur (uniquement Visual 400-415 V 3~) | 16/20 kg/h | 1 | | 1115509 |
| | | 24/30 kg/h | 2 | | 1115509 |
| | | 40 kg/h | 2 | | 1115511 |
| | | 50 kg/h | 3 | | 1115509 |
| | | 60 kg/h | 4 | | 1115509 |
| | | 80 kg/h | 4 | | 1115511 |
| 306 | Folientastatur Keypad Clavier | 5...40 kg/h | 1 | | 1115513 |
| | | 5...40 kg/h | | 1 | 1115514 |
| 307 | LC-Display kpl. LC-display cpl. Affichage (LCD) cpl. | 5...40 kg/h | 1 | 1 | 1115515 |
| | | | | | |
| | | | | | |
| 308 | Steuerkarte 230-240 V 1~ Control board 230-240 V 1~ Platine de commande 230-240 V 1~ | 5/8/10 kg/h | 1 | | 1115516 |
| | | 5/8/10 kg/h | | 1 | 1115517 |
| | | | | | |
| 308 | Steuerkarte 200-220 V 3~ Control board 200-220 V 3~ Platine de commande 200-220 V 3~ | 5...40 kg/h | 1 | | 1115516 |
| | | 5...40 kg/h | | 1 | 1115517 |
| | | 50...80 kg/h | 1 | | 1115518 |
| | | 50...80 kg/h | | 1 | 1115519 |
| 308 | Steuerkarte 400-415 V 3~ Control board 400-415 V 3~ Platine de commande 400-415 V 3~ | 5...40 kg/h | 1 | | 1115516 |
| | | 5...40 kg/h | | 1 | 1115517 |
| | | 50...80 kg/h | 1 | | 1115518 |
| | | 50...80 kg/h | | 1 | 1115519 |
| 309 | Speisungsmodul 230-240 V 1~ Supply module 230-240 V 1~ Module d'alimentation 230-240 V 1~ | 5...10 kg/h | 1 | 1 | 1115524 |
| | | | | | |
| | | | | | |
| 309 | Speisungsmodul 200-220 V 3~ Supply module 200-220 V 3~ Module d'alimentation 200-220 V 3~ | 5...80 kg/h | 1 | 1 | 1115524 |
| | | | | | |
| | | | | | |
| 309 | Speisungsmodul 400-415 V 3~ Supply module 400-415 V 3~ Module d'alimentation 400-415 V 3~ | 5...10 kg/h | 1 | | 1115524 |
| | | 16...80 kg/h | 1 | | 1115525 |
| | | 5...80 kg/h | | 1 | 1115524 |
| 310 | Leistungssprint 230-240 V 1~ Power board 230-240 V 1~ Platine de puissance 230-240 V 1~ | 5/8 kg/h | 1 | 1 | 1116871 |
| | | 10 kg/h | 1 | 1 | 1116872 |
| | | | | | |
| 310 | Leistungssprint 200-220 V 3~ Power board 200-220 V 3~ Platine de puissance 200-220 V 3~ | 5 kg/h | 1 | 1 | 1116873 |
| | | 8 kg/h | 1 | 1 | 1116874 |
| | | 10 kg/h | 1 | 1 | 1116875 |
| | | 16 kg/h | 1 | 1 | 1116876 |
| | | 20 kg/h | 1 | 1 | 1116877 |
| | | 24 kg/h | 1 | 1 | 1116879 |
| | | 30 kg/h | 1 | 1 | 1116879 |
| | | 40 kg/h | 1 | 1 | 1116880 |
| | | 50 kg/h | 1 | 1 | 1116877 |
| | | | 1 | 1 | 1116879 |
| | | 60 kg/h | 2 | 2 | 1116879 |
| | | 80 kg/h | 2 | 2 | 1116880 |
| | | | | | |
| | | | | | |
| 310 | Leistungssprint 400-415 V 3~ Power board 400-415 V 3~ Platine de puissance 400-415 V 3~ | 5/8 kg/h | 1 | 1 | 1115526 |
| | | 10 kg/h | | 1 | 1115527 |
| | | 10...30 kg/h | 1 | | 1115527 |
| | | 16/20 kg/h | | 1 | 1115528 |
| | | 24 kg/h | | 1 | 1115529 |
| | | 30 kg/h | | 1 | 1115521 |
| | | 40 kg/h | 1 | | 1115520 |
| | | 40 kg/h | | 1 | 1115522 |
| | | 50 kg/h | 2 | | 1115527 |
| | | 50 kg/h | | 1 | 1115521 |
| | | | | 1 | 1115528 |
| | | 60 kg/h | 2 | | 1115527 |
| | | 60 kg/h | | 2 | 1115521 |
| | | 80 kg/h | 2 | | 1115520 |
| 80 kg/h | | 2 | 1115522 | | |

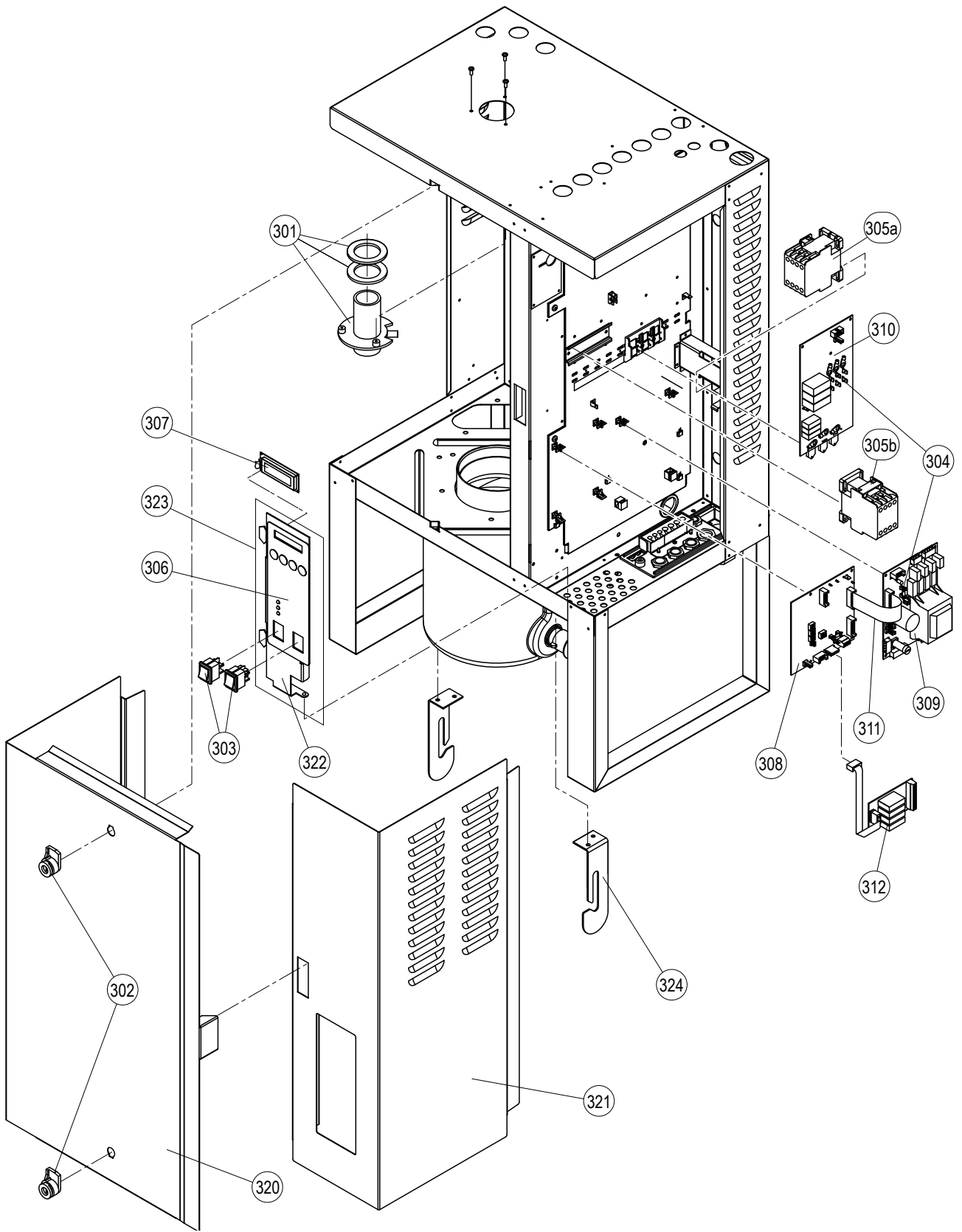
| Pos. | Artikel Article Article | Type Type Type | Visual | Process | Art.-/SAP-Nr. Art.-/SAP-No. Art.-/SAP-No. |
|-------|--|--|------------------|------------------|---|
| 311 | Set BUS-Kabel Set BUS cable Set câble BUS | 5...40 kg/h | 1 | 1 | 1115530 |
| 312 | Betriebs- und Störungsfernmeldung Remote operation and fault indication Télésignalisation de travail et de dérangement | 5...40 kg/h | 1 | 1 | 1115360 |
| 320 * | Türe Wasserseite Door water side Porte côté eau | 5/8/10/16 kg/h 5/8/10/16 kg/h / INOX 20/24/30/40 kg/h 20/24/30/40 kg/h / INOX | 1 1 1 1 | 1 1 1 1 | 2553835 2553840 2553838 2553843 |
| 321 * | Türe Elektronikseite Door electronic side Porte côté électronique | 5/8/10/16 kg/h 5/8/10/16 kg/h / INOX 20/24/30/40 kg/h 20/24/30/40 kg/h / INOX | 1 1 1 1 | 1 1 1 1 | 2553836 2553841 2553837 2553842 |
| | Türe Elektronikseite ohne Displayausschnitt Door electronic side without display cutout Porte côté électronique sans découpe affichage | 20/24/30/40 kg/h 20/24/30/40 kg/h / INOX | 1 1 | 1 1 | 2553839 2553845 |
| 322 | Frontpanel Front panel Tableau frontal | 5...40 kg/h | 1 | 1 | 1116577 |
| 323 | Frontpanel mit Folientastatur Front panel with keypad Tableau frontal avec clavier | 5...40 kg/h 5...40 kg/h | 1 | 1 | 1116582 1116581 |
| 324 | Linker und rechter Haltebügel zu Kalkauffangbehälter Lime collector tank (left/right) holding devices Dispositif de fixation (gauche/droite) pour collecteur de calcaire | 5/8/10/16 kg/h / 500 20/24/30/40 kg/h / 600 | 1 1 | 1 1 | 1115682 1115681 |
| — | Verbindungskabelset Connection cable set Set câble de connection | 5...80 kg/h | 1 | 1 | 1116883 |
| — | Querstromlüfter Ventilator Ventilateur | 40/80 kg/h | | 1 | 1115531 |
| — | Kabel Speisungsmodul -> Steuerkarte Cable supply module -> control board Câble module d'alimentation -> platine de commande | | 1 | 1 | 1116089 |
| — | Kabel Leistungsprint -> Steuerkarte Cable power board -> control board Câble platine de puissance -> platine de commande | | 1 | 1 | 1116090 |
| — | Kabel Speisungsmodul -> Ventil Cable supply module -> valve Câble module d'alimentation -> vanne | | 1 | 1 | 2547174 2547175 |

* **Lieferfrist ca. 6 Wochen**
Delivery time approx. 6 weeks
Délai de livraison approx. 6 semaines

** **passt nur für Geräte 400-415V/3~ 40kg/h mit Produktionsdatum vor dem 1. Juli 2012!**
suits only for units 400-415V/3~ 40kg/h with production date before July 1st 2012!
convient seulement pour les unités 400-415V/3~ 40kg/h avec date de production avant le 1er juillet 2012







Manufacturer:
 Condair Ltd.
 Talstrasse 35-37, 8808 Pfäffikon, Switzerland
 Ph. +41 55 416 61 11, Fax +41 55 416 62 62
 info@condair.com, www.condair.com