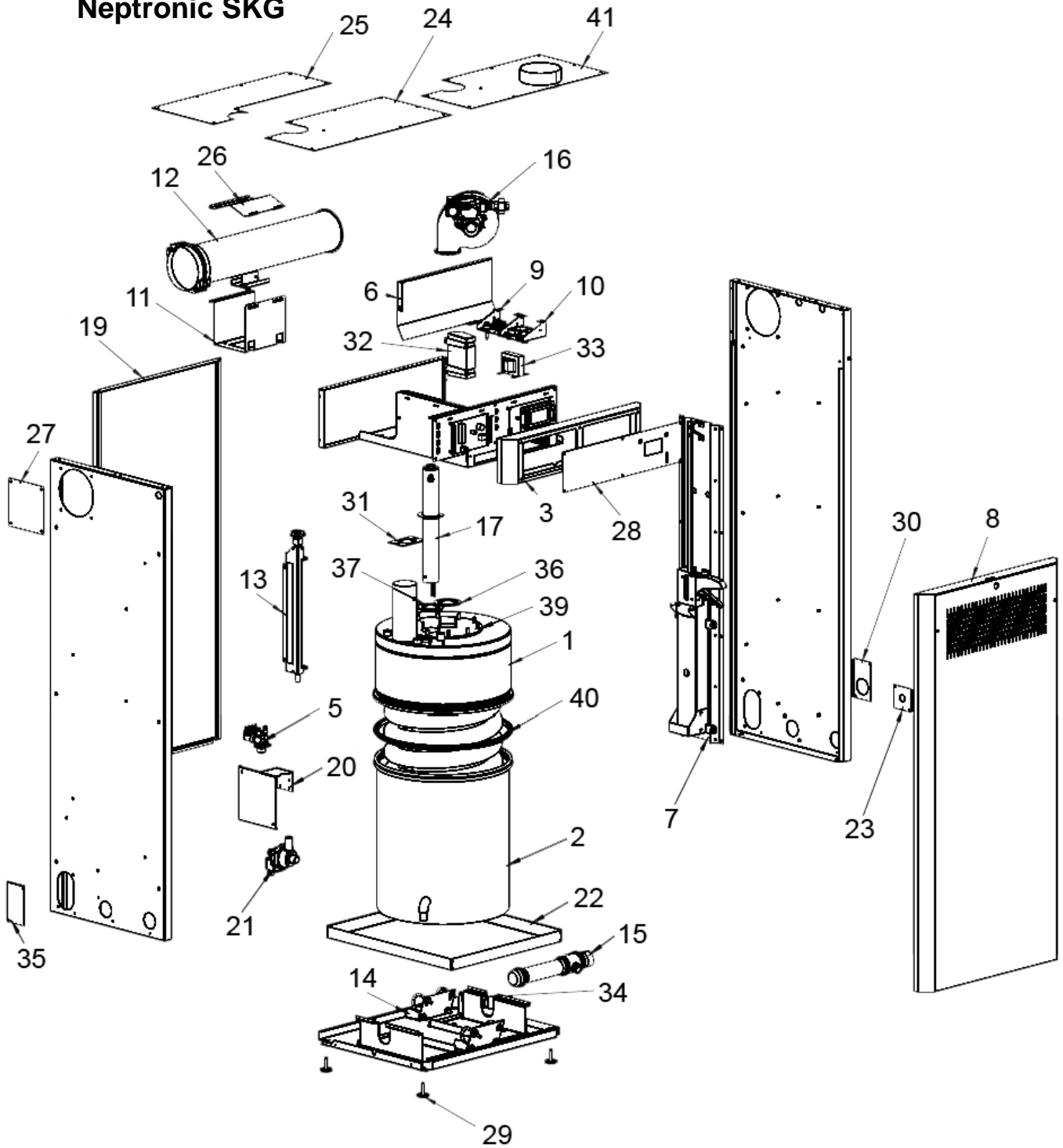


Neptronic SKG



No	Model	Item No	Description
1	Module SKG 100	SPG 3207-M	Evaporation Chamber
	Module SKG 150	SPG 3207-M	
	Module SKG 180	SPG 3207-M	
	Module SKG 200	SPG 3206-M	
2	All	SWG3208	Tank
3	All	SPG 1002-6	PCB-Box
4	All	SWG 1002	Cabinet
5	All	SPG 4104	Two Solenoide Valves
6	All	SPG 1002-12	Heat Shield
7	All	SWGLIFT ASSY	Lift Mechanism
8	All	SWG FRTDOOR-ASSY	Front Door
9 & 10	All	SWG ELECT1	Electrical Component Report
		SPG 1002-13	
11	All	SPG 1004-1	CHEM-BKT
12	All	SPG 2201	Flue Section
13	All	SWG WATLEV-ASSY	Water Level Sensor Assembly (W/ eye sight)
14	All	SPG 1002-8	Gas / Drain Bracket
15	SKG3-110 to 210	SWG GASIN1-ASSY	Gas Supply Assembly
	SKG3-265 to 405	SWG GASIN2-ASSY	
	SKG3-505 to 610	SWG GASIN3-ASSY	
	SKG3-710 to 810	SWG GASIN4-ASSY	
16	Module SKG 100	SPG 2007	Combustion Blower
	Module SKG 150	SPG 2013	
	Module SKG 180	SPG 2013	
	Module SKG 200	SPG 2013	
	Module SKG 100	SWG GASVENT51/ASSY	Ventury / Gas Valve
	Module SKG 150	SWG GASVENT02/ASSY	
	Module SKG 180	SWG GASVENT51/ASSY	
	Module SKG 200	SWG GASVENT51/ASSY	
17	All	SWG IGNATOR-ASSY	Ignitor Holder Assembly (Rebuilt)
19	All	SPG1002-1	Back-Door

20	All	SPG 1002-15	Drain Pump-Bracket
21	All	SPG 4101	Drain Pump
22	All	SPG 1005	Tray
23	All	SPG 1002-29	Water Supply Flange
24	All	SPG 1002-16	Cover-Front
25	All	SPG 1002-17	Cover-Back
26	All	SPG 1004-2	Flue Section Saddle
27	All	SPG1002-22	Flue Cabinet Cover
28	All	SPG1002-21	Front Panel – Master Module
		SPG1002-24	Front Panel – Slave Module
29	All	SPG 3401	Leg Lever 3/8-16
30	All	SPG 1002-23	Gas Supply Flange
31	All	SPG 2107	Flue Breech Fibre Gasket
32	All	SPG 2001	Gas Controller
33	All	SPG 5002	Transformer – 208/230/240
		SPG 5003	Transformer - 120
34	All	SPG 1003-4	Gas Supply Tee Clamp
35	All	SPG 1002-25	Gas Supply Blind Flange
36	All	SPG 2104	Combustion Burner Gasket
37	All	SPG 2103	Ignitor Holder Gasket
38	Module SKG 100	SPG 2009	Burner
	Module SKG 150	SPG 2015	
	Module SKG 180	SPG 2015	
	Module SKG 200	SPG 2016	
39	All	SPG 3203	Burner Support Assembly
		SPG 2106	Burner Fiber Gasket and Refractory Kit
		SPG 2108	Flue Joint Fiber Gasket

40	All	SPG 2101	Evaporation Tank Gasket
		SPG 3290	Flame eye sight
		SPG 3035	High temperature limit switch
		SPG 2204	Flue connection
		SPF 2203	Flue connection collar
		SPG 2206	Flue section blind flange
		SPG 2111	Combustion chamber gasket
		SWG WATLEV-SUB	Water level probe
		SWG WATTEMP-ASSY	Water temperature probe
		40	All
SWG CHIMPROBE-ASSY	Flue gas probe		
NW SKGAZSLAVESS	Evaporation module's control pcb		
NW SKGAZMAINSS	Humidifier control pcb		
41	All	SPG 1002-30	Cover Front – Direct Combustion Air Option
		SPG 1002-32	Filter Cover – Direct Combustion Air Option

* - Consumable items recommended to be kept on site